



GENUINE PARTS

INSTALLATION INSTRUCTIONS

DESCRIPTION: Body Side Moldings

APPLICATION: NV Cargo & Passenger

PART NUMBER: 999G2 HW000

KIT CONTENTS:

Item	Qty.	Part Description	Service Part Number
A	2	Molding front door	---
B	2	Molding rear door/panel	

TOOLS REQUIRED:

- Clean, Lint-Free Wiping Cloth
- Roller (optional)
- 90% plus alcohol solution
- Scale
- Masking Tape
- Measuring Tape
- Dry Erase Marker

PRE-INSTALLATION WARNINGS, CAUTIONS, CRITICAL STEPS, and NOTES:

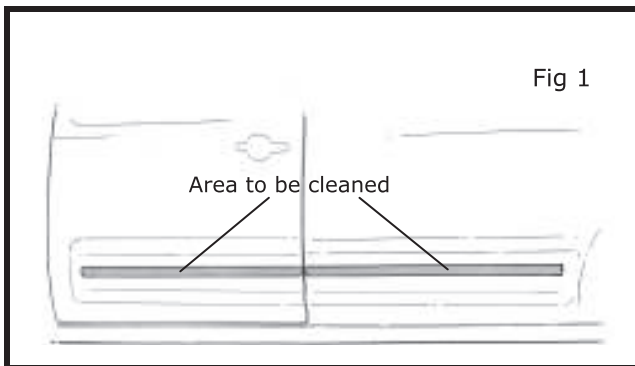
- Dealer Installation Recommended. Instructions may refer to Service Manual.
- This Part is to be installed at a surface temperature of 65-100°F.



CAUTION

- Install the body side molding when the ambient temperature is above 60°F (15°C).
- Do not wash or expose the vehicle to a wet environment for 24 hours after installing the rear bumper protector.
- Please use proper pressure to wet the tape on the body side molding to the door (15lbs)

INSTALLATION PROCEDURE:



NOTE: FRONT OR REAR PARTS CAN BE USED ON EITHER LEFT OR RIGHT SIDE

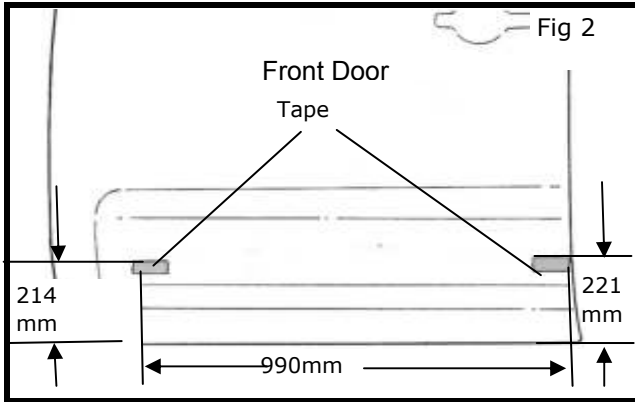
- 1) a) Clean middle section of door panels thoroughly with soap and water to remove any dirt or debris and allow to dry. **(Fig. 1)**
 b) Using a clean lint - free cloth and alcohol, clean the area of the panels where parts will be installed. **(Fig.1)**
 c) Allow time to dry thoroughly.



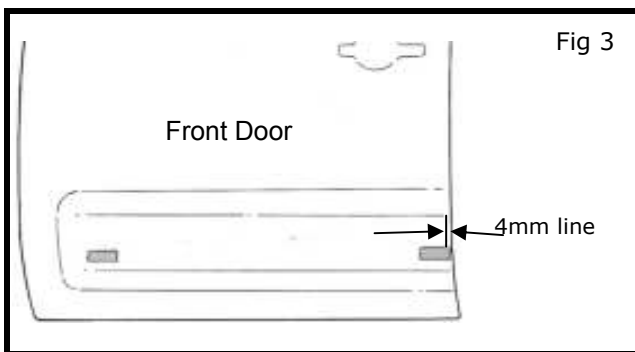
CAUTION

Failure to clean the mounting surface properly may cause the adhesive tape to have poor adhesion to the vehicle.

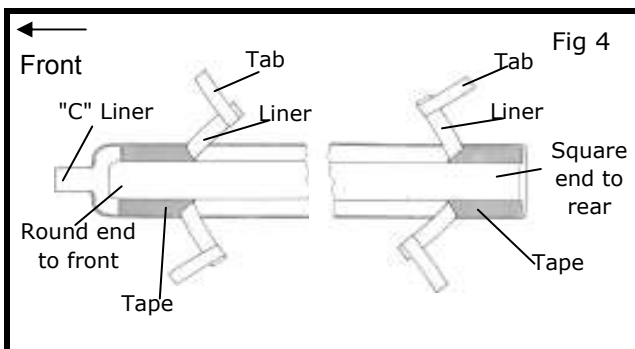
INSTALLATION INSTRUCTIONS - Body Side Moldings



- 2) a) At rear edge of front door measure up 221mm from bottom lower door edge, mark with a piece of tape. **(Fig. 2)**
- b) From rear edge of front door measure 990mm forward and 214mm from bottom lower door edge, mark with a piece of tape. **(Fig. 2)**

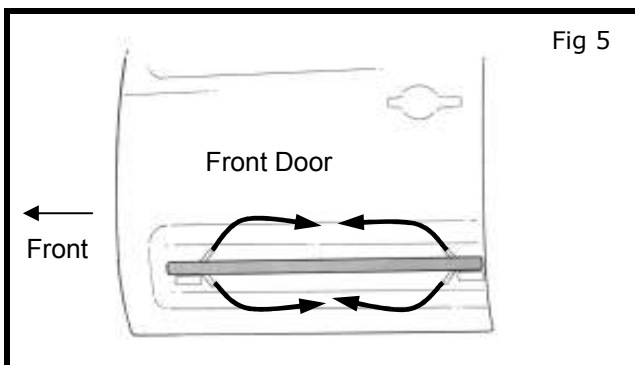


- 3) Mark a line 4mm from the rear edge of the front door. **(Fig. 3)**



- 4) Remove end "C" tape liner and peel back both liners at each end 50mm-60mm using tape tabs. **(Fig. 4)**

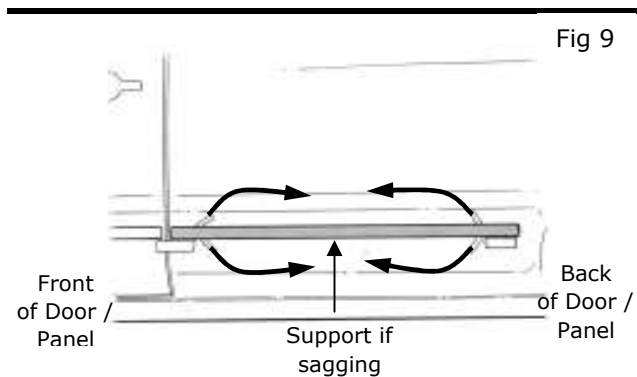
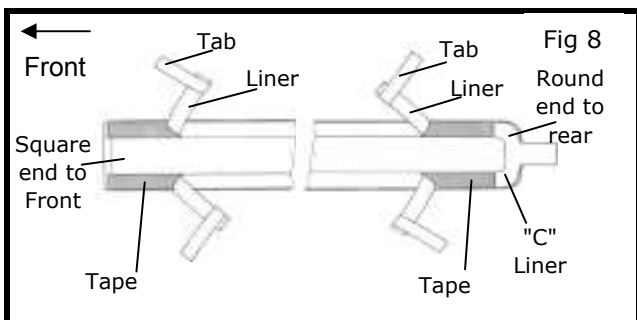
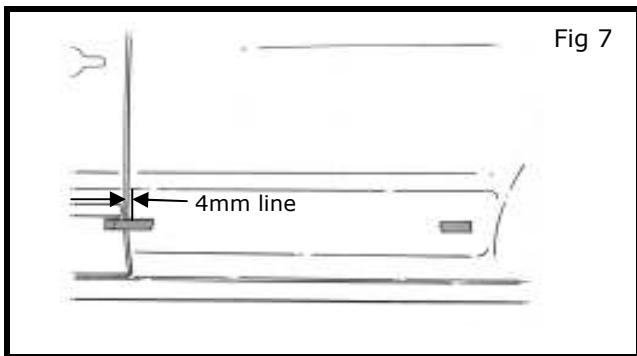
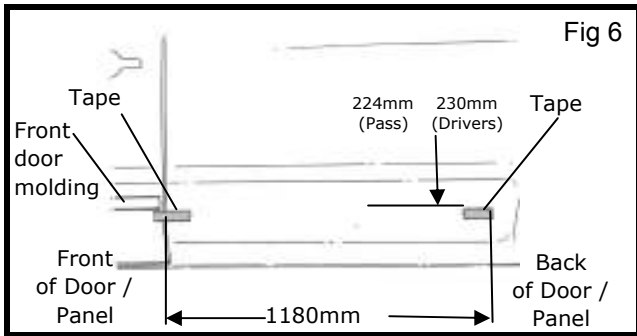
Note: Round end of trim is located at the front of door.



- 5) a) Position molding to rear of door at 4mm line, leave a 1mm gap between bottom edge of molding and top of tape pieces, check alignment and tack down. **(Fig. 5)**
- b) Pull remainder of liners off both ends while holding part into position and tack down. **(Fig. 5)**

- 6) Repeat process for opposite side of vehicle.

INSTALLATION INSTRUCTIONS - Body Side Moldings



7) Rear Panel Drivers Side

- At front edge of rear panel locate piece of tape, check alignment with previously installed front door molding. **(Fig. 6)**
- At front edge of rear panel measure back 1180mm and 230mm up from lower sill radius mark and locate piece of tape. **(Fig. 6)**
- Mark a line 4mm from front edge of rear panel. **(Fig. 7)**

- Remove end "C" tape liner and peel back both liners at each end 50mm-60mm, using tape tabs. **(Fig. 8)**

Note: Round end of trim is located at the rear of the panel or door.

- Position back edge of molding to front of passengers rear door and drivers rear panel and butted to 4mm line, leave a 1mm gap between bottom edge of molding and top of tape pieces, check alignment and tack down. **(Fig.9)**

- Pull remainder of liners off both ends while holding part in position and tack down. If necessary, raise centre slightly to avoid sagging. **(Fig. 9)**

- Once attached, apply pressure of 15lbs with roller or hand to ensure proper tape wet out of both front and rear moldings.

11) Rear Door Passenger Side

- At front edge of rear door locate piece of tape, check alignment with previously installed front door tape. **(Fig. 6)**
- At front edge of rear door measure back 1180mm and 224mm up from lower door edge, mark and locate piece of tape. **(Fig. 6)**
- Mark a line 4mm from front edge of rear door. **(Fig. 7)**

- Repeat steps 8-10 for passenger side.